

# Technical data sheet

ITRON GmbH, 76185 Karlsruhe, Hardeckstr. 2

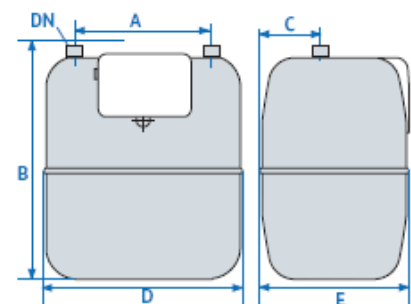
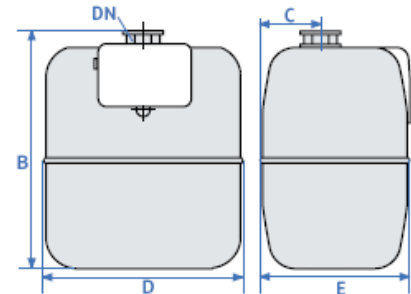
## G4 RF1-MM

### Diaphragm gas meter with mechanical temperature compensation

The residential diaphragm gas meter G4 RF1-MM with mechanical temperature compensation is a volumetric measuring device consisting of four chambers with closed diaphragm pans and a variable measuring volume. The distribution with valve control is fixed on the measuring chambers. A crank drive with a temperature-dependent crank radius converts the linear movement of the diaphragms and valves into a rotational one. The cycle volume of the meter is therefore proportional to the gas temperature.

### Technical Characteristics

|                                |   |                  |   |
|--------------------------------|---|------------------|---|
| Gas Type                       | Natural Gas, air, propane, butane, nitrogen and all non-corrosive gases   |                  |   |
| Cyclic Volume                  | 1,67 dm <sup>3</sup> (at 20°C)  |                  |   |
| Temperature compensating range | -5°C to +35°C (National approval Germany) ;<br>-10°C to +40°C (MID);<br>T <sub>b</sub> = 15°C; T <sub>sp</sub> = 20°C<br>other temperatures on request          |                  |   |
| Storage Temperature            | -40°C to +70°C  |                  |   |
| Maximum Operating Pressure     | 0.5 bar   |                  |   |
| Maximum Operating Pressure HTL | 0,1 bar   |                  |   |
| Measuring Range                | G4  | Q <sub>min</sub> | 0.04 m <sup>2</sup> /h<br>6 m <sup>2</sup> /h |
| Pulse Generator                | Standard 0.1 m <sup>3</sup> /pulse (optional 0.01 m <sup>3</sup> /pulse)  |                  |   |
| Pulse Transmitter              | Retrofittable LF-system, 12 Vdc max – 10 mA max.<br>standard 0.1 m <sup>3</sup> /pulse.<br><br>Different versions: with 1m cable, binder plug or terminal block |                  |   |
| Casing Material                | Aluminium-coated sheet steel  |                  |   |
| Totaliser                      | IP 54   |                  |   |
| Connections Threads            | ISO 228-1 standards:<br>G 1" A;<br>G 1" 1/4 A;<br>GM 3/4";<br>GM 1";<br>Others on request   |                  |   |
| Colour                         | Lightgrey RAL 7035  |                  |   |

**Double-pipe steel version**

**Single-pipe steel version**


### Dimensions

| Connection  | DN | 20  | 25        | 25        | 25          |
|-------------|----|-----|-----------|-----------|-------------|
| A (Spacing) | mm | 250 | 110 / 152 | 210 - 250 | Single-pipe |
| B           | mm | 273 | 268       | 268       | 274         |
| C           | mm | 71  | 71        | 71        | 71          |
| D           | mm | 325 | 233       | 325       | 233         |
| E           | mm | 177 | 177       | 177       | 177         |
| Weight      | kg | 2,7 | 2,6       | 2,7       | 2,5         |